

## Flanged Connector Clamps

Stainless Steel, with 2 Mounting Holes

### SPECIFICATION

#### Types

- Type **A**: Without seals
- Type **B**: With seals

#### Identification no.

- No. **4**: With stainless steel cap nut DIN 917

Stainless steel AISI CF-8  
Matte shot-blasted

Carriage bolt DIN 603  
Stainless steel

Cap nuts DIN 917 / washers  
Stainless steel

Seals

- Sealing disks  
Plastic (Polyacetal POM)
- Spacer ring  
Silicon, 40 ... 60 Shore A

### INFORMATION

The clamping bores of GN 146.6 flanged connector clamps are mechanically machined and designed for construction tubings GN 990 (see page 1902) or DIN 2391, DIN 2395 and DIN 2462 respectively.

At the screw location **z**, carriage bolt and cap nut reduce the bore cross-section for clamping. Type B is equipped with seals at the screw location.

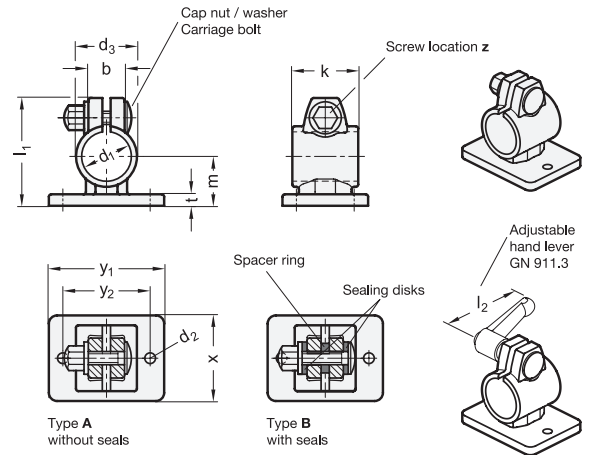
For clamping without tools, the cap nuts can be replaced by an adjustable hand lever GN 911.3 (see page 1875) listed in the table as accessory.

### ACCESSORY

- Adjustable Hand Levers GN 911.3 (see page 1875)

### TECHNICAL INFORMATION

- Plastic Characteristics (see page A2)
- Stainless Steel Characteristics (see page A26)



### GN 146.6-A

Description	$d_1$ Bore	b	$d_2$	$d_3$	k Clamping length	$l_1$	m	t	$x_1$	$x_2$	$y_1$	$y_2$	z Screw location	STAINLESS STEEL	
														Accessory Recom. hand lever GN 911.3 for z I2	⚖️
GN 146.6-B30-A-4	B 30	22	6.5	37	40	65	30	7	52	35	70	53	M8-30	63   78	300

### GN 146.6-B

Description	$d_1$ Bore	b	$d_2$	$d_3$	k Clamping length	$l_1$	m	t	$x_1$	$x_2$	$y_1$	$y_2$	z Screw location	STAINLESS STEEL	
														Accessory Recom. hand lever GN 911.3 for z I2	⚖️
GN 146.6-B30-B-4	B 30	22	6.5	37	40	65	30	7	52	35	70	53	M8-30	63   78	270